

Metallurgical Objective Lenses(금속현미경용 대물렌즈)

All of Shibuya's objective lens are offered at a New Price!

Easy use easy buy!

Shibuya is waiting for your contact!

1. CFI optical system
2. High N.A and long working distance
3. Confocal length 45mm, conjugate focal length 200mm and field of view 25mm in diameter

For Bright Field and Dark Field Observation

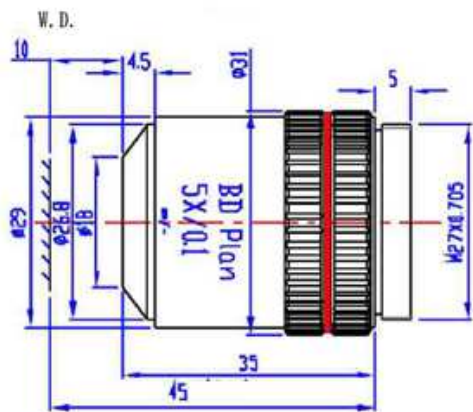
Model No.	SDN 5	SDN 10	SDN 20	SDN 40	SDN 60
Magnification	5X	10X	20x	40X	60X
N.A. (Numerical Aperture)	0.10	0.25	0.45	0.65	0.85
W.D.(Working Distance)	10mm	4mm	2.5mm	0.7mm	0.5mm
F.D.(Front Focal Distance)	40mm	20mm	10mm	5mm	3.33mm
R (Resolving Power)	2 μ m	1 μ m	0.7 μ m	0.4 μ m	0.3 μ m
+/- D.F. (Focal Depth)	14 μ m	3.5 μ m	1.6 μ m	0.6 μ m	0.4 μ m
F.No.25 (Field Diameter)	5mm	2.5mm	1.6mm	0.625mm	0.42mm
Field Area on 1/2' CCD (mm)	0.96X1.28	0.4X0.64	0.24X0.32	0.12X0.16	0.08X0.11
Weight	87g	85g	95g	88g	142g

Screw Pitch : 27X0.706

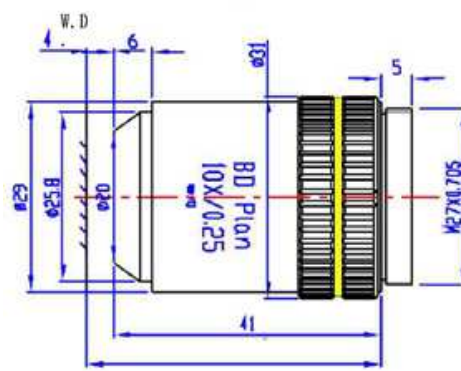
For Bright Field Observation

Model No.	LDJ 5	LDJ 10	LDJ 20	LDJ 50	LDJ 100
Magnification	5X	10X	20X	50X	100X
N.A. (Numerical Aperture)	0.1	0.25	0.45	0.55	0.8
W.D. (Working Distance)	11.4mm	6.5mm	11mm	8.2mm	2mm
F.D. (Front Focal Distance)	40mm	20mm	10mm	4mm	2mm
R (Resolving Power)	2 μ m	1 μ m	0.7 μ m	0.5 μ m	0.4 μ m
+/- D.F. (Focal Depth)	14 μ m	3.5 μ m	1.6 μ m	0.9 μ m	0.4 μ m
F. No.25 (Field Diameter)	5mm	2.5mm	1.6mm	0.5mm	0.25mm
Field Area on 1/2' CCD (mm)	0.96X1.28	0.4X0.64	0.24X0.32	0.1X0.13	0.05X0.06

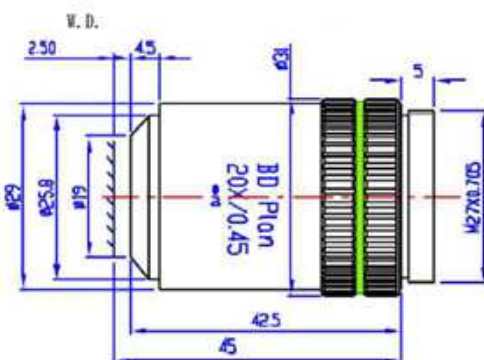
Screw Pitch : 20.32X0.706



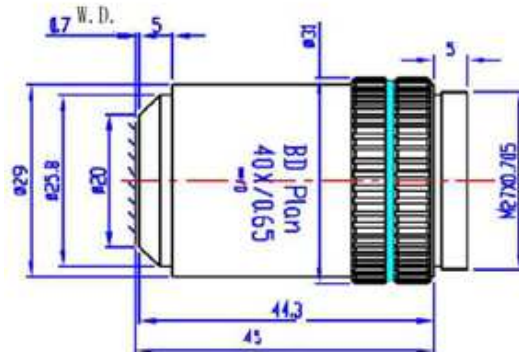
SDN5X



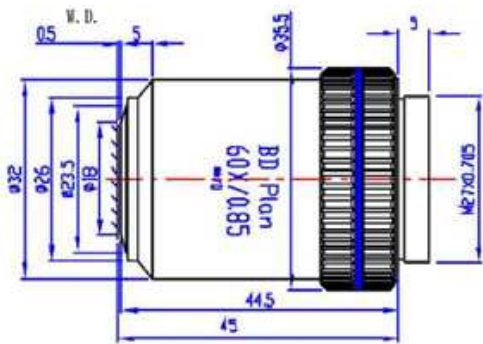
SDN10X



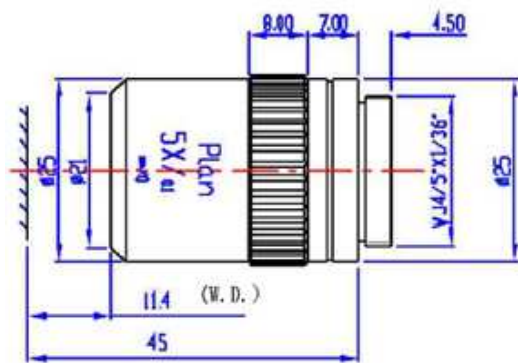
SDN20X



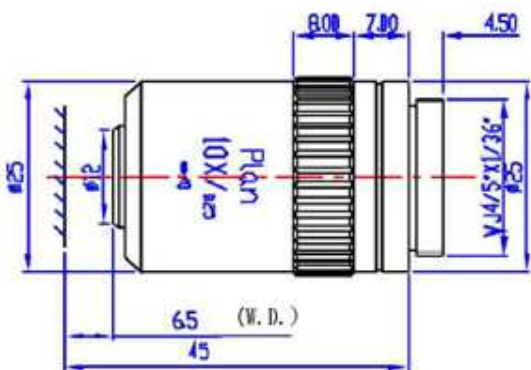
SDN40X



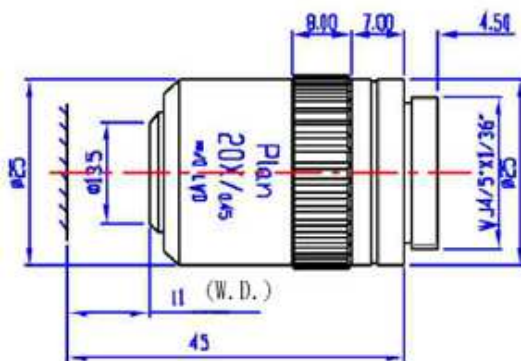
SDN60X



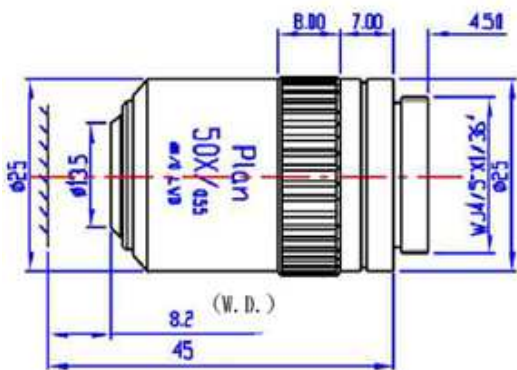
LDJ5X



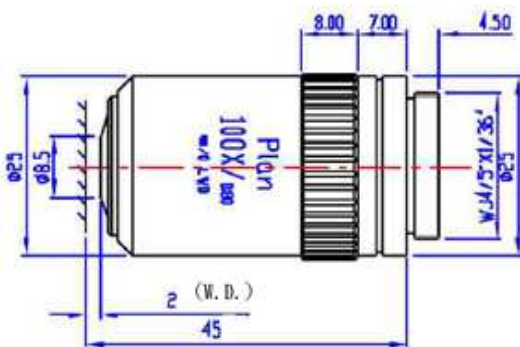
LDJ10X



LDJ20X



LDJ50X



LDJ100X